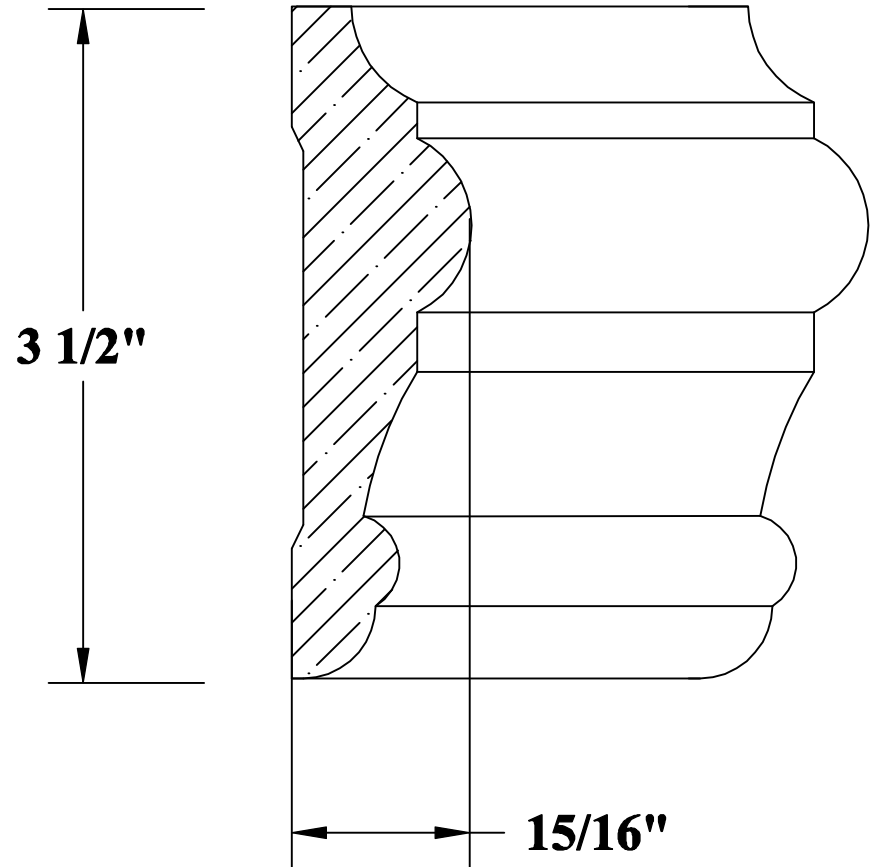


Stock **Poplar** **Oak** **Maple** **Cherry**



| | | |
|--------------------|--------------------|---|
| Product No. | Description |  |
| 55402 | Chair Rail | |