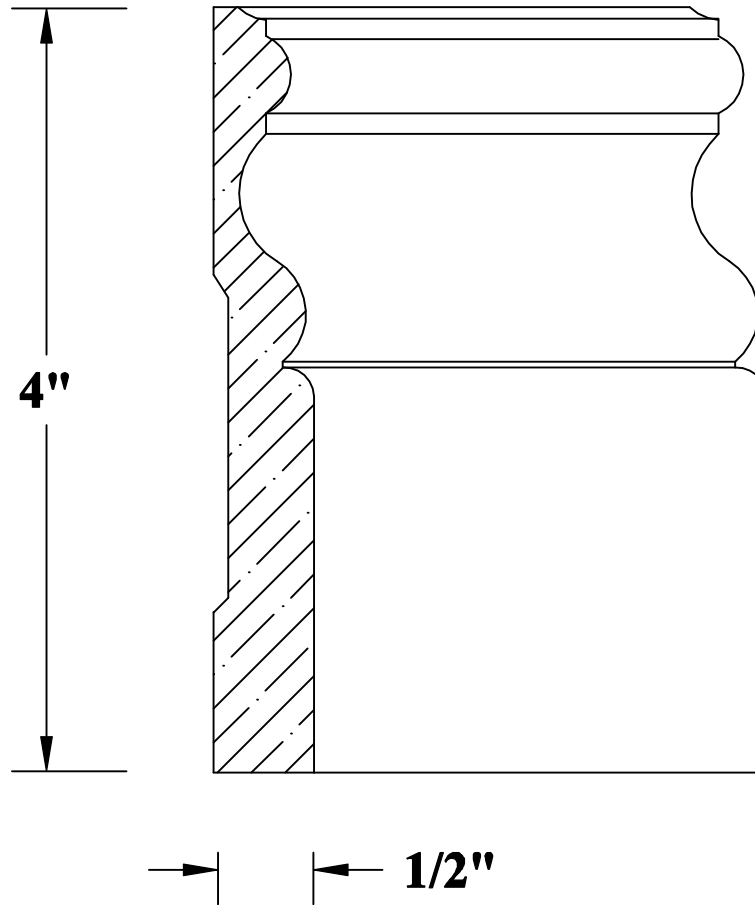



Stock **Poplar** **Oak** **Maple** **Cherry**



| Product No. | Description | |
|-------------|--------------------------|---|
| 53414 | 1/2" x 4" Victorian Base |  |